

Tee - 4 Prong Nut

Thread Type: Metric - Coarse

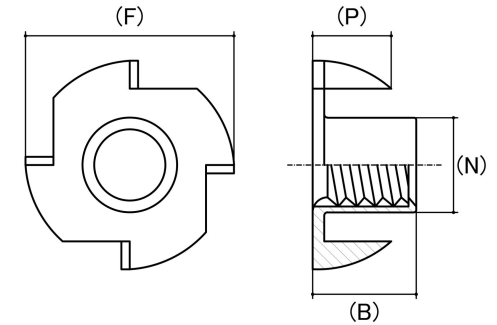
Thread Direction: Right Hand

Material: Carbon Steel

Class Grade: Low Tensile Class 4.6

Finish: Zinc Plated

Corrosion Protection Level: Moderate



*CAD drawings shown for graphic representation only.**

Size	Thread Pitch (mm)	Thread Type	Overall Nut Height (B) (mm)		Flange Diameter (F) (mm)		Body Diameter (N) (mm)		Prong Height (P) (mm)		sku (qfind)
			Min	Max	Min	Max	Min	Max	Min	Max	
M4	0.70	Coarse	7.90	8.10	14.80	15.20	5.10	5.20	5.40	6.00	41T4
M5	0.80	Coarse	7.90	8.10	16.70	17.10	6.10	6.20	5.40	6.00	41T5
M6	1.00	Coarse	8.90	9.10	18.50	19.00	7.20	7.40	6.40	7.00	41T6
M8	1.25	Coarse	10.90	11.10	21.50	22.00	9.20	9.40	7.40	8.00	41T8
M8	1.25	Coarse	17.00	17.20	21.50	22.00	9.30	9.50	8.00	8.60	41T817
M10	1.50	Coarse	12.00	12.20	24.40	25.40	11.20	11.40	8.00	8.60	41T10

Disclaimer:

Dimensional data and technical information was obtained from publically available sources and not acquired through standard agencies. It has been completed and compiled for reference purposes only; where discrepancies are found they are subject to change without notice. Bolt & Nut Australia makes no warranties or representations regarding the accuracy and validity of the compiled information and data. Contact the relevant standard authorities for accurate and detailed information.

* CAD drawings may not reflect diameter, thread length or overall length.

© Bolt & Nut Australia Pty Ltd. All rights reserved.

Version: 18 Mar 2024